

Optimisation of non-pharmaceutical measures in COVID-19 growth via neural networks

Annalisa Riccardi¹, Jessica Gemignani^{2,3}, Francisco Fernández-Navarro⁴, *Member, IEEE*, Anna Heffernan^{*5,6},

¹Department of Mechanical and Aerospace Engineering, University of Strathclyde, Glasgow, UK

² Department of Developmental Psychology and Socialisation, Università di Padova, Padova, Italy

³ Integrative Neuroscience and Cognition Center, Université de Paris & CNRS, Paris, France

⁴ Department of Quantitative Methods, Universidad Loyola Andalucía, Spain

⁵ Department of Physics, University of Guelph, Ontario, Canada

⁶ Perimeter Institute of Theoretical Physics, Waterloo, Ontario, Canada

Abstract—On 19th March, the World Health Organisation declared a pandemic. Through this global spread, many nations have witnessed exponential growth of confirmed cases brought under control by severe mass quarantine or *lockdown* measures. However, some have, through a different timeline of actions, prevented this exponential growth. Currently as some continue to tackle growth, others attempt to safely lift restrictions whilst avoiding a resurgence. This study seeks to quantify the impact of government actions in mitigating viral transmission of SARS-CoV-2 by a novel soft computing approach that makes concurrent use of a neural network model, to predict the daily slope increase of cumulative infected, and an optimiser, with a parametrisation of the government restriction time series, to understanding the best set of mitigating actions. Data for two territories, Italy and Taiwan, have been gathered to model government restrictions in traveling, testing and enforcement of social distance measures as well as people connectivity and adherence to government actions. It is found that a larger and earlier testing campaign with tighter entry restrictions benefit both regions, resulting in significantly less confirmed cases. Interestingly, this scenario couples with an earlier but milder implementation of nationwide restrictions for Italy, thus supporting Taiwan's lack of nationwide lockdown. The results, found with a purely data-driven approach, are in line with the main findings of mathematical epidemiological models, proving that the proposed approach has value and that the data alone contains valuable knowledge to inform decision makers.

Index Terms—Covid-19, SARS-CoV-2, Epidemiology, BiLSTM, CNN, ELM, Optimisation, Data gathering.

1 Introduction

ON 31st December 2019, China reported to the World Health Organisation (WHO) the detection of pneumonia with an unknown etiology in the city of Wuhan [1]. The viral agent was identified as a novel coronavirus, subsequently named SARS-CoV-2 due to genetic similarities to SARS-CoV, that is almost identical (96% whole-genome level) to a known bat coronavirus [2], [3], [4]. Recognising the growing epidemic, China banned travel to and from Wuhan and activated a national emergency response on 23rd January, invoking travel and social distancing restrictions on a national scale [5], [6]. Despite these actions, the virus successfully spread on a global level and by 11th March, the WHO had declared a pandemic [7]. The ability of this virus to spread despite acute public awareness and control actions is currently attributed, in part, to viral shedding of presymptomatic cases [8], [9]. With no currently approved vaccines or specific treatments, non-pharmaceutical measures are the frontline of both offense and defense in ‘flattening the curve’ and inhibiting the infamous second wave respectively [10], [11].

Since the initial outbreak, researchers from the machine learning community have implemented Artificial Neural Net-

works (ANNs) to address mainly two types of problems: (i) virus detection through images and (ii) growth forecasting. For the former, researchers aim to develop an automatic detection system in which a neural network (typically a deep learning model) learns the main characteristics of the resulting pneumonia from historical images of infected patient [12], [13], [14]. In the latter, researchers typically develop a machine learning system to predict the future number of confirmed cases in a country from historical data [15], [16], [17], [18]. The forecasting model typically relies on three types of deep learning networks [19]: Fully-Connected Networks (FCNs), Recurrent Neural Networks (RNNs) and Convolutional Neural Networks (CNNs).

- **Fully Connected Networks (FCNs):** A FCN is a type of ANN where the architecture is such that all the nodes in one layer are connected to the neurons in the next layer [20]. For example, the combination of FCN and interior search algorithm was proposed in [21] for predicting the future number of infected of COVID-19 people. From a similar perspective, a FCN with three hidden layers was also proposed to predict the number of cases in Mexico [22]. Finally, the FCNs was employed (hybridized in this case with the well-known SIR model) to predict the peak of COVID-19 in Spain [23]

* To whom correspondence should be addressed; E-mail: aheffernan@perimeterinstitute.ca

All authors contributed equally to this work.

- **Recurrent Neural Networks (RNNs):** RNNs are the most widely used ANN architecture for addressing time series forecasting in the deep learning community. In RNNs, there is a bidirectional communication between the nodes in the different layers. Thus, the nodes in a particular layer are fed with both the outputs of previous and next layers. The architecture associated to RNNs is particularly interesting as it allows the model to memorize both short and long terms relationships among the desired output and the input variables [24]. Regarding the implementation of RNNs for COVID-19 forecasting, in [16], the authors trained an RNN model with data from the 2003 SARS epidemic for predicting (in a SEIR model) new infections in China. In [25], the authors used a Long Short Term Memory Neural Network (LSTMNN) to predict the number of new cases of COVID-19 in Canada. Similarly, LSTMs were also employed in [26] to forecast the number of cases in India.
- **Convolutional Neural Networks (CNNs):** A CNN consist of one input and output layer and several hidden layers [27]. The hidden layers of a CNNs are based on a set of convolutional layers that convolve with multiplication or other dot [28]. CNNs have been traditionally employed in image classification, in particular 2-D CNNs. However, they can also be used for times series forecasting, 1D CNNs [29]. In the field of COVID-19 forecasting, CNNs were proposed (as the main architecture [30] or in combination with LSTM models [31]) to analyze and predict the number of confirmed cases in China [30], [31].

Unfortunately, current research on forecasting growth fails on two issues: (i) they do not include a complete set of government decision variables in the study (maybe due to their largely qualitative nature, making it difficult to encode and preprocess with neural networks) and (ii) they do not provide guidelines on how those variables could be combined to mitigate the effect of the virus (at least partially). Motivated by this, we have proposed a soft computing approach where ANNs and optimization techniques are used concurrently to determine a different and optimal scenario of mitigation measures. The novelty of the work is dual: (i) this is the first study of this kind that, by merging data from heterogeneous sources, has created a rich dataset that is able to capture not only government actions but also the reactions and adherence to the regulations of the population; (ii) the analysis of mitigating measures was carried out through a novel optimization approach where the time series of the independent variables have been parameterised. These parameters are subsequently optimised by means of an genetic algorithm for integer programming to generate the new corresponding optimal time series. The neural network model is used to predict the slope of infected people for the new time series.

This paper is organised as follows: Sec. 2 summarises the data gathered, sources used and quantifying techniques. Sec. 3 outlines the neural networks models tested, data preparation and optimization method. Results are listed in Sec. 4 and discussed in Sec. 5. This study is summarised in Sec. 6 with possible future directions outlined.

2 Data: Two territories, two trajectories

2.1 Italy and Taiwan

By mid-February, China had successfully demonstrated that the exponential growth of confirmed cases can be vastly mitigated by mass quarantine or *lockdown* measures [32]. Unfortunately, by then the virus was beginning to take hold in several nations. In particular, Italy would become the next epicenter of the pandemic [33], [34], with dire consequences on its healthcare system; before the onset of the epidemics, Italy had approximately 5200 intensive care beds available [35], and efforts had to be made to increase this number during the emergency [36]: on April 3rd the number of patients admitted to ICU reached an unprecedented figure of 4068 [34], posing a serious threat on the solidity of the entire system. In these extraordinary circumstances, the Italian government instigated severe lockdown measures similar to those implemented in China [37].

Meanwhile Taiwan, despite its close proximity and frequent flights to China, continued to contain the growth of confirmed cases through different yet efficient and effective government measures [38]. These actions never escalated to a nationwide lockdown. Nevertheless they successfully prevented the exponential growth predicted by unmitigated viral transmission [39], and did not overwhelm their healthcare system.

With the ultimate goal of providing a foundation that could serve policy-makers in the decision process, in regard to managing current outbreaks or preventing a future second-wave, this study aims to understand the impact and effectiveness of the possible measures a nation can employ to inhibit and constrict growth. Thus, we analyse these two different scenarios from two different regions.

2.2 Data gathering

To capture and describe the evolution of the pandemics in the two regions, several variables were employed describing the reaction of the respective governments, its timeliness, the behavior of the community, and the weather conditions. To gather the Italian data, numerous sources were used, namely the Ministry of Health [40], the Ministry of Interior [41] and the Department of Civil Protection [34]. As for Taiwan, the Taiwan Centers for Disease Control (TCDC) released timely reports to the public on government mitigation actions [42]. This was previously reported by [43] for data available until 24th February 2020. We extend this data by two months until 24th April 2020. Each variable was then coded to obtain a daily time series (Fig. 1). The dataset is summarized below.

Border Control: Several measures have been taken to control border admission. The different levels of action applied to travellers entering the territory were equated to a numeric scale. This ranges from 0 to 5 for national citizens and 0 to 7 for non-nationals, where 0 represents zero constraints and 7 entry banned (5 equates to 14 days quarantine). The impact of these levels is weighted by the daily cases for each territory as recorded by John Hopkins [33]. Details of the method used can be found in Supplementary Material, depicted in Tables 5-7 and Fig. 5.

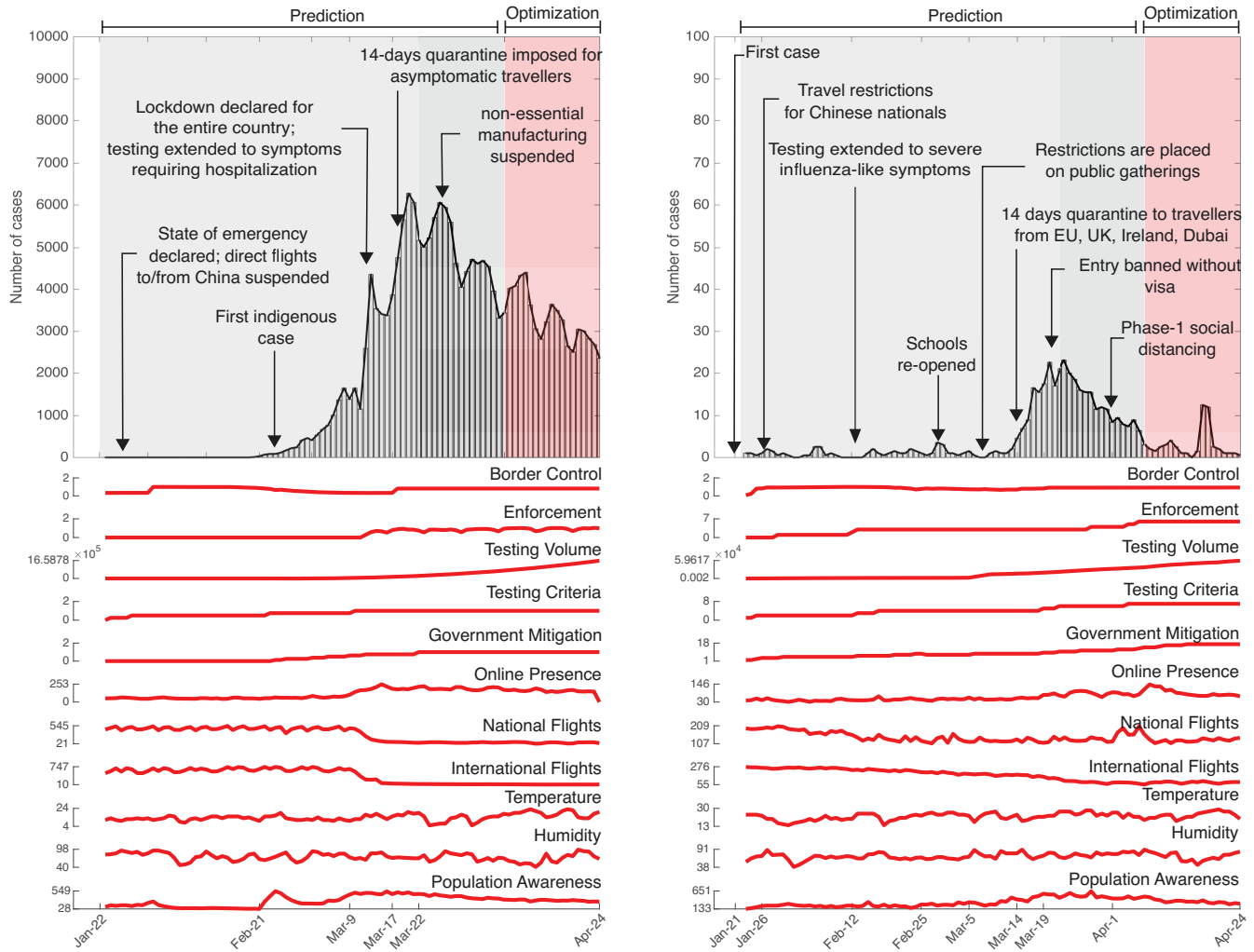


Fig. 1: The top panel portrays the distributions of the growth curves in Italy (left) and Taiwan (right), along with the indication of some key moments characterizing the chronological development of the epidemics. The areas shaded in grey represent the timeframe employed by the neural networks to predict the growth, while the areas shaded in red indicate the timeframe (April 7th-24th) employed to compute the optimization of the combination of control measures via genetic algorithm. The bottom panel illustrates, for each territory, the set of variables collected and utilized to describe and predict the evolution of the epidemics.

165 **Italian Enforcement:** In Italy, to supervise the compliance
 166 of the population to the restrictions, the Ministry of Interior
 167 organized a massive monitoring campaign on both individuals
 168 and businesses. Failure to comply to the restrictions could
 169 result in fines and/or criminal charges for individuals, and
 170 fines and/or suspension of the activity for businesses. The
 171 daily report was gathered from the website of the Ministry
 172 of Interior [41], and the daily number of police checks on
 173 individuals and businesses was averaged to obtain the time
 174 series *Enforcement*.

176 **Taiwan Enforcement:** To ensure compliance in Taiwan,
 177 Health Declaration Forms [44] and mobile tracking were
 178 introduced with violators earning fines and enforced group
 179 quarantine. Table 8 in Supplementary Material lists and
 180 quantifies these consequences as a step function.

182 **Testing Volume:** Starting from February 24th, the Italian

Department of Civil Protection released a daily public report
 of the the number of tests administered, which was gathered
 from its website [34] and employed as a variable *Testing*
Volume. In Taiwan, the TCDC initiated testing in early
 January, by 8th March, 13,855 tests had been carried out,
 with approximately 1000 tests a day since. Testing numbers
 were released in the TCDC public reports [42]. Days where
 exact numbers were not released, the daily count has been
 interpolated by averaging the increase of testing volume over
 the ‘missing’ days.

Testing Criteria: In Italy, at the beginning of the pandemic
 diagnostic tests were only performed on symptomatic
 individuals traveling back from China. Gradually, testing
 has been extended to a larger part of the population. Each
 extension of the testing inclusion criteria was modeled as a
 step in the corresponding variable. The data was gathered
 from the website of the Ministry of Health [45] and presented

in Table 9 in Supplementary Material. In Taiwan, surveillance information was publicly made available by the TCDC [42] and previously noted in [43]. Initial suspect cases were screened for 26 viruses and targeted travellers from Wuhan. As the virus spread, this was extended to symptomatic individuals with close contact to infected individuals, clusters of fever and pneumonia cases unresponsive to antibiotics. Testing of symptomatic individuals was eventually extended to all inbound travellers. The representative step function is described in Table 10 of Supplementary Material.

Government Mitigation: Over the course of the emergency, the Italian Presidency of the Council of Ministers, the Ministry of Health and the Department of Civil Protection issued several decrees and ordinances of increasing severity, aimed at containing the spread of the epidemic. The first measure was the creation of several red zones in Northern Italy, while the last step was the complete nationwide lockdown, along with the suspensions of all productive businesses not directly involved in supplying essential services. Based on the succession of these measures, we modeled the *Government Mitigation* variable as a step function, with each step corresponding to one of the legal acts. The end value represents the complete national lockdown. In Taiwan, general public communication including heightened hand and respiratory hygiene recommendations started on 6th January through the TCDC [42]. Through chance, school holidays commenced on 20th January, however they were extended for two weeks in response to the increased spread of the virus. From there the government mitigation actions involved heightened hygiene practices with increased social distances guidance, e.g. large gatherings, wearing masks in crowded public places, guidance for educational institutions, etc. Yet, unlike Italy, they did not go into national lockdown. Actions taken by Italy and Taiwan are listed and quantified in Tables 11 and 12 of Supplementary Material respectively.

Online Presence: A daily measure of home confinement is equated to search query data via the publicly available service *Google Trends*, using the search terms: Netflix, Amazon Prime Video, Zoom Video Communications, Skype. Corresponding search volume indices were combined into a single variable, *Online Presence*. In Italy, as Fig. 1 illustrates, an initial peak coincides with the national lockdown (March 8th, Level 5 in Table 11), and remains at high levels until the end of our data collection (24th April 2020). In Taiwan, despite no national lockdown activated, an increased home presence can be seen in mid-March in Fig. 1. This coincides with an increase growth curve and hence could be interpreted as the public's personal response to the increasing number of cases in Taiwan.

National and International Flights: To quantify mobility within and outwith both Italy and Taiwan, data from national and international arriving and outgoing flights have been collected from the online platform *Flightradar24* [46].

Temperature and Humidity: A recent study suggests weather parameters such as temperature and humidity can affect the spreading of the virus [47]. Data collected from *World Weather Online* [48] of 24-hours average temperature

(C°) and humidity (%) values have been added to the data set. The online service has been queried using Taiwan and Italy longitude and latitude representative coordinates (23.7 and 121 for Taiwan, 43 and 12 for Italy). The value of humidity and temperature in a specific location in each region has been taken as representative of that territory in the period observed.

Population Awareness: To quantify people awareness of the phenomena, *Google Trends* can be used [49]. Data has been collected here by querying people searches related to the list of keywords: "coronavirus", "covid", "quarantena", "wuhan", "virus" (in Italy) and "coronavirus", "covid", "quarantine", "wuhan", "virus" (in Taiwan). For each word the top 5 related queries are collected and the results of all searches aggregated. In Italy, a peak can be observed in the following days of the first case, coinciding with the creation of red zones in Northern Italy (Fig. 1). This diminishes only to return with the national lockdown (March 8th, Level 5 in Table 11). This online presence slowly decreases until the end of our data collection (24th April 2020). In Taiwan, interest also initially peaks with the first case, diminishing to peak again as growth begins to surge along with government mitigation. The full list of words used in the google trends analysis for both territories is available in Table 13 of Supplementary Material.

3 Simulating and Optimising Growth Curves

3.1 Neural Network Models

The data collected are used as independent variables for the multivariate time series analysis where the slope is the dependent variable. Three neural network models are tested: 2D Convolutional Neural Network (CNN) [50], Extreme Learning Machine (ELM) [51] and Bidirectional Long Short-Term Memory Neural Network (BiLSTMNN) [52].

CNN: The deep CNN proposed in this study is composed of four sliding convolutional filters with kernels equal to 8, 16, 32 and 32, each one connected in between by a batch normalisation layer to speed up training and reduce the sensitivity, and a Relu layer to set to zero any value less than zero. The output of the convolutional layers feeds into a dropout layer for regularisation, and a fully connected layer for the continuous prediction of the output, the slope. The model depends on two network parameters: the size of the CNN filter and the dropout layer probability; and three training parameters: the mini-batch size, the learning rate drop factor and drop period.

ELM: The ELM framework was originally presented as a single hidden layer feedforward neural network, whose connections between input and hidden layers are randomly assigned. The only parameters needed to be tuned are the weights between the hidden and the output layers, which are analytically estimated by solving the standard least-squares minimization problem. This methodology significantly improves the computational burden of the algorithm and allows it to process heavy datasets in a reasonable computational time [53]. ELM models have reported competitive performances in both standard machine learning datasets (regression and classification) [54] and

other more challenging problems such as image detection [55], time series [56], topological information [57] or real-time river flow prediction [58]. In this experimental study, the ELM neural network version of the framework with sigmoidal and linear basis functions in the hidden and output layers was considered. The model critically depends on two hyper-parameters: the number of hidden neurons, S , and the regularization penalty term, C .

LSTMNN: Unlike the two previously described models, the LSTMNN method belongs to the family of Recurrent Neural Networks (RNNs). In traditional Feedforward Neural Networks (FFNNs), information moves only in a direct way from the input layer to the output one. RNNs are based on an architecture in which the data through the system moves constituting a direct cycle [59]. The main difference between standard RNNs and LSTMNNs models is that the latter are capable of memorizing a time series value for an arbitrary length of time. The model used in this study is a Bidirectional LSTM (BiLSTM) network. This is usually a superior prediction approach in time series forecasting than the simple LSTM model, as it learns from the complete time series data (past and future states). The model depends on three network hyper-parameters: the number of hidden neurons in the bidirectional LSTM layer, the size of the first fully connected layer, the dropout probability rate; and three training hyper-parameters (initial learning rate, learning rate drop period and factor).

The optimal set of hyperparameters for the neural networks have been obtained by minimising the root mean square error on the predictions by means of a Bayesian optimisation process. Bayesian optimisation is an algorithm used in global optimisation to minimise a certain objective function, treated as a black box, by varying the value of its independent variables. The algorithm itself relies on an internal Gaussian process that approximates the objective function, and is trained by subsequent evaluations of the true objective. The approximated model is used for optimisation to reduce computational costs and for its robust nature with stochastic noise in function evaluations.

3.2 Data preparation

The collected data has been divided for training and testing, and reshaped as feature input for the multivariate time series analysis. Furthermore, in order to be able to use the neural network models for the subsequent analysis, the optimisation of government restrictions, the dependence of the historical values of the dependent variables is omitted from the input features space. Hence for the ELM and BiLSTMNN models the input features are modelled as the vector

$$\mathcal{X}_t = [X(t), \dots, X(t + N)] \in \mathbb{R}^{11N} \quad (1)$$

where N is the time window parameters, and $X(t)$ is the vector of independent variables at time t as described in the Data Collection section. Conversely for the CNN model the input space is defined as

$$\mathcal{X}_t = \begin{bmatrix} x_1(t) & \dots & x_1(t + N) \\ \dots & \dots & \dots \\ x_{11}(t) & \dots & x_{11}(t + N) \end{bmatrix} \in \mathbb{R}^{11 \times N} \quad (2)$$

where $x_i(t)$ is the i -th independent variable at time t . The hyperparameter N is optimised, by means of a Bayesian optimisation process, together with the networks hyperparameters.

3.3 Optimisation

The best trained neural network model (BiLSTMNN) is used to have a deeper understanding of government regulations and their impact on the slope function. Taking

$$y_t = \mathcal{N}(\mathcal{X}_t), \quad \mathcal{X}_t \in \mathbb{R}^M \quad (3)$$

as the neural network model, where $M = 11N$ or $M = 11 \times N$ depending on the model used, the following optimisation problem has been formulated

$$\min J(\mathbf{x}), \quad \mathbf{x} \in \Omega, \quad (4)$$

where $J(\mathbf{x})$ is the objective function defined as the maximum value of the slope along the whole time frame considered.

$$J(\mathbf{x}) = \max_t \mathcal{N}(\mathcal{X}_t(\mathbf{x})). \quad (5)$$

The daily slope value is computed as the angular coefficient of the linear regression of the values of daily cumulative infected of the current day and two days ahead, as a smoother representation of the daily number of infected. \mathbf{x} is a set of optimisation variables designed to model government restrictions previously discussed (border control, enforcement, testing volume, testing criteria, social distance, flight volume and people awareness), excluding weather parameters as they are not controllable by government. The complete set of optimisation variables for each territory is described in Table 1. Ω is the feasible region defined by the lower and upper bounds of the set of optimisation variables with some constraints. Inequality constraints are introduced to enforce the temporal order of the variables modelling quarantine incoming and the step functions of social distance, quarantine control (only for Taiwan) and testing criteria. To avoid the optimisation converging towards a temporal delay of the first case, an equality constraint is introduced to ensure the day of first confirmed case matches reality. The optimisation problem aims to minimize the maximum value of the slope - this can be interpreted as minimising the number of daily infections so to not put the health care system under extreme strain.

For Italy the problem can be formulated mathematically as

$$\min_{\mathbf{x}} \max_t \mathcal{N}(\mathcal{X}_t(\mathbf{x})) \quad (6)$$

$$\text{s.t} \quad (7)$$

$$A \begin{bmatrix} x_1 \\ x_2 \\ x_3 \end{bmatrix} \leq 0 \quad (8)$$

$$x_7 + \sum_{i=8}^{11} x_i \leq T \quad (9)$$

$$x_{12} + \sum_{i=13}^{19} x_i \leq T \quad (10)$$

$$t = 1, t = \{y_t > 0 | y_t = \mathcal{N}(\mathcal{X}_t(\mathbf{x})), \forall t\} \quad (11)$$

$$\mathbf{x} \in \mathbb{N}^{27}, L \leq \mathbf{x} \leq U \quad (12)$$

where

$$A = \begin{bmatrix} 1 & -1 & 0 \\ 0 & 1 & -1 \end{bmatrix}. \quad (13)$$

373
374
375
376

377

378
379
380

381
382
383

384
385

386
387
388
389
390
391
392
393
394
395
396
397
398
399
400
401
402
403
404
405
406
407

408
409

410

TABLE 1: Government restriction optimisation variables list and descriptions

Italy	Taiwan	
x_1, x_2, x_3	x_1, \dots, x_{12}	<i>Quarantine incoming</i> : variables are dates of actions as highlighted in Tables 6 and 7 in Supplementary material.
x_4, x_5	$x_{13}; x_{14}, \dots, x_{19}$	<i>Quarantine control</i> : for Italy the first variable models the time and the second variable models the shift; for Taiwan the first variable models the time of the initial step and the rest of the variables model the step function interval sizes
x_6	x_{20}	<i>Testing</i> : the variable models the shift in time of the day in which testing had a steep increase
$x_7; x_8, \dots, x_{11}$	$x_{21}; x_{22}, \dots, x_{28}$	<i>Testing criteria</i> : the first variable models the time of the initial step and the rest of the variables model the step function interval sizes
$x_{12}; x_{13}, \dots, x_{19}$	$x_{29}; x_{30}, \dots, x_{46}$	<i>Social distance</i> : the first variable models the time of the initial step and the rest of the variables model the step function interval size
x_{20}, x_{21}	x_{47}, x_{48}	<i>Social distance online platform</i> : the first variable models the time and the second variable models the shift
x_{22}, x_{23}	x_{49}, x_{50}	<i>Flights national</i> : the first variable models the time and the second variable models the shift
x_{24}, x_{25}	x_{51}, x_{52}	<i>Flights international</i> : the first variable models the time and the second variable models the shift
x_{26}, x_{27}	x_{53}, x_{54}	<i>People awareness</i> : the first variable models the time and the second variable models the shift

411 is the matrix defining the linear inequality temporal constraints on the quarantine incoming variables. T is the time horizon parameter, and L, U are the vectors defining the lower and upper bounds of the optimisation variables. For Taiwan
 412
 413
 414
 415 the problem is defined as,

$$\min_{\mathbf{x}} \max_t \mathcal{N}(\mathcal{X}_t(\mathbf{x})) \quad (14)$$

$$\text{s.t} \quad (15)$$

$$B_1 \begin{bmatrix} x_1 \\ \dots \\ x_{12} \end{bmatrix} \leq 0, \quad B_2 \begin{bmatrix} x_6 \\ \dots \\ x_{12} \end{bmatrix} \leq 0, \quad (16)$$

$$x_{13} + \sum_{i=14}^{19} x_i \leq T, \quad (17)$$

$$x_{21} + \sum_{i=22}^{28} x_i \leq T, \quad (18)$$

$$x_{29} + \sum_{i=30}^{46} x_i \leq T \quad (19)$$

$$t = 1, t = \{y_t > 0 | y_t = \mathcal{N}(\mathcal{X}_t(\mathbf{x})), \forall t\}, \quad (20)$$

$$\mathbf{x} \in \mathbb{N}^{54}, L \leq \mathbf{x} \leq U, \quad (21)$$

416 with

$$B_1 = \begin{bmatrix} 1 & -1 & 0 & 0 & 0 & 0 & 0 & 0 & 0 & 0 & 0 & 0 \\ 0 & 0 & 1 & -1 & 0 & 0 & 0 & 0 & 0 & 0 & 0 & 0 \\ 0 & 0 & 0 & 0 & 1 & 0 & -1 & 0 & 0 & 0 & 0 & 0 \\ 0 & 0 & 0 & 0 & 0 & 0 & 0 & 1 & -1 & 0 & 0 & 0 \\ 0 & 0 & 0 & 0 & 0 & 0 & 0 & 0 & 0 & 1 & -1 & 0 \\ 0 & 0 & 0 & 0 & 0 & 0 & 0 & 0 & 0 & 0 & -1 & 1 \end{bmatrix}, \quad (22)$$

417

$$B_2 = \begin{bmatrix} -1 & 1 & 0 & 0 & 0 & 0 & 0 & 0 \\ -1 & 0 & 1 & 0 & 0 & 0 & 0 & 0 \\ -1 & 0 & 0 & 1 & 0 & 0 & 0 & 0 \\ -1 & 0 & 0 & 0 & 1 & 0 & 0 & 0 \\ -1 & 0 & 0 & 0 & 0 & 1 & 0 & 0 \\ -1 & 0 & 0 & 0 & 0 & 0 & 1 & 0 \\ -1 & 0 & 0 & 0 & 0 & 0 & 0 & 1 \end{bmatrix}, \quad (23)$$

418 where B_1 and B_2 are the matrices defining the linear inequality temporal constraints on the quarantine incoming variables.
 419

420 The integer programming Genetic Algorithm is used
 421 to solve the optimisation problem. Genetic Algorithms are

422 stochastic global optimisation strategies that mimic the
 423 behaviour of natural biological evolution of mutation and
 424 crossover. They are initialised with a pool of potential solu-
 425 tions and by evolutionary operators and applying the prin-
 426 ciple of survival of the fittest, increasingly better offspring
 427 populations are generated, which terminate when no further
 428 improvements can be made. Genetic algorithms have the main
 429 advantage that they can solve problems with integer variables
 430 and the objective function is treated as a black box.

3.4 Summary of the computational approach

431
 432 We propose a soft computing algorithm which combines
 433 neural networks and genetic algorithms, to determine (from
 434 a purely data-driven approach), the best set of mitigating
 435 actions. The algorithm is based on two independent stages
 436 that are summarized below and outlined in Algorithm. 1.

437 In the first stage, a set of neural networks models are
 438 trained to estimate the daily slope increase of cumulative
 439 infected from variables such as government actions and the
 440 reactions and adherence of the population to such regulations.
 441 The best performing model is selected taking into account the
 442 reported root mean square percentages of the neural networks
 443 implemented. The choice of training a neural network model
 444 per territory is driven by the need of capturing region specific
 445 static parameters. Time-varying parameters that have an
 446 influence on the predicted growth curve, and are not among
 447 those described in Sec. 2.2, can still be captured by the
 448 network model as hidden features if they are correlated to
 449 the input variables selected.

450 In the second stage, the best performing neural network,
 451 the BiLSTMNN model, is used as a surrogate model in an
 452 optimization procedure that targets the best set of mitigating
 453 actions. The optimization procedure incorporates an ad-hoc
 454 parametrization of the time series governmental restrictions.
 455 These parameters were subsequently optimised through ge-
 456 netic algorithm for integer programming to generate the new
 457 corresponding optimal time series. Below, the algorithmic flow
 458 of the soft computing approach proposed is provided.

Algorithm 1: Optimisation of non-pharmaceutical measures in COVID-19 algorithm for region under study

Result: Optimised governmental measures for region under study
 Data gathering;
 Train BiLSTMNN model for region under study;
 Initialise Table 1 variables bounds for region under study;
 Initialise GA population (pop_0 , 100 individuals);
 $i=0$;
while $ngen < 1000$ **do**
 for each individual \mathbf{x} in pop_i **do**
 construct time series $\mathcal{X}(\mathbf{x})$;
 evaluate predictions $\mathcal{N}(\mathcal{X}(\mathbf{x}))$;
 compute fitness $J(\mathbf{x}) = \max_t \mathcal{N}(\mathcal{X}_t(\mathbf{x}))$;
 compute inequality constraints $c(\mathbf{x})$ as in Section 3.3;
 end
 apply GA operators to obtain pop_{i+1} ;
 $ngen = ngen + 1$;
end
 return best individual, x_{best} , of pop_i ;
 construct time series $\mathcal{X}(x_{best})$;

4 Results

4.1 Neural Network model

In this section, the performance of the different neural networks models for Italy and Taiwan are statistically compared. For model selection, following the recommendations reported in [60], the time series were split in two parts: (i) the training set is roughly the first 2 and a half months of data; and (ii) the generalization set is the last section of each time series. The training set was used to estimate the parameters of the models and the generalization set to assess the performance of the different neural networks in unseen data [60]. In the experiments, the generalization set included the last five points of each time series, as suggested in [61]. Table 2 shows the Root Mean Square Error Percentage (RMSEP) in the generalization set of the best run per model (out of 1000 runs), $Best_{RMSEP}$, and the variation coefficient of the RMSEP in the generalization set for the different models implemented, CV_{RMSEP} . Furthermore, taking into account the set of RMSEPs of the different models over the different runs, the mean rankings of RMSEP, \bar{R}_{RMSEP} , for the different neural networks models are obtained (values shown in Table 2). From the analysis of the results, it can be concluded, from a purely descriptive point of view, that the BiLSTMNN method obtained the best results in the two problems considered in mean rankings. Additionally, the best BiLSTMNN achieved the best RMSEP in Taiwan and second best in Italy (with a more consistent performance, more homogeneous results, better CV).

In this study, hypothesis testing was used to provide statistical support for the discussion of the results. A performance analysis through parametric tests could lead to mistaken conclusions in this research study. A previous evaluation of the RMSEP values provided by the implemented methods resulted in rejecting the normality and equality of the

TABLE 2: Statistical results of the neural networks implemented

Italy				
Models	$Best_{RMSEP}$	CV_{RMSEP}	\bar{R}_{RMSEP}	p-value
CNN	0.0277	0.4858	6.0589	0.0000†
ELM	0.0529	0.3031	6.1222	0.0000†
BiLSTMNN	0.0492	0.3005	2.8189	-
Taiwan				
Models	$Best_{RMSEP}$	CV_{RMSEP}	\bar{R}_{RMSEP}	p-value
CNN	0.1775	0.5056	4.6589	0.3942
ELM	0.1367	0.3348	6.0011	0.0000†
BiLSTMNN	0.1402	0.4350	4.3400	-

variance hypothesis. For these reasons, nonparametric tests were implemented to determine the statistical significance of the results previously reported [62]. Specifically, two non-parametric Friedman tests were carried out with the rankings of RMSEP of the models. For the two multivariate time series considered, the p -values associated to the Friedman test were smaller than 0.05 ($\alpha = 0.05$), and therefore, the null hypotheses stating that all algorithms perform equally in mean RMSEP rankings were rejected for both problems.

Based on this rejection, the nonparametric Bonferroni Dunn-Sidak test was implemented to compare all neural network methods to the BiLSTMNN method (which was used as the control method) [63]. Table 2 shows the p-values results of the Bonferroni Dunn-Sidak test for the two problems considered. Thus, the Bonferroni Dunn-Sidak’s tests indicate that the control method (BiLSTMNN) statistically outperforms all the remaining models in Italy and also outperforms, in statistical terms, the ELM model for Taiwan. Furthermore, the BiLSTMNN method achieves the best mean ranking in the two problems considered, which, in our opinion, justifies our decision to use it as the base model for the next stage (optimization study). An analogous study was also performed to determine the model to be analyzed within all the different BiLSTMNN configurations.

The best BiLSTMNN model for each territory are obtained for the optimal value of hyper parameters reported in Table 3, the network visualisation model in Fig. 2 and the prediction model in Fig. 3.

TABLE 3: BiLSTMNN optimal hyper parameters for Italy and Taiwan

BiLSTMNN	Italy	Taiwan
Time Window	14	21
Number of Hidden Units	155	770
First Layer Size	469	107
Dropout Layer probability	0.18	0.69
Initial Learn Rate	2.4e-04	5.2e-06
Learn Rate Drop Factor	0.02	0.01
Learn Rate Drop Period	111	88

The multivariate time series model is able to capture the trend of the slope in both cases, with a more accurate overall error in the case of Italy as already discussed. This is mainly due to the less noisy nature of the Italian time series. It is important to clarify that, as was already mentioned, the

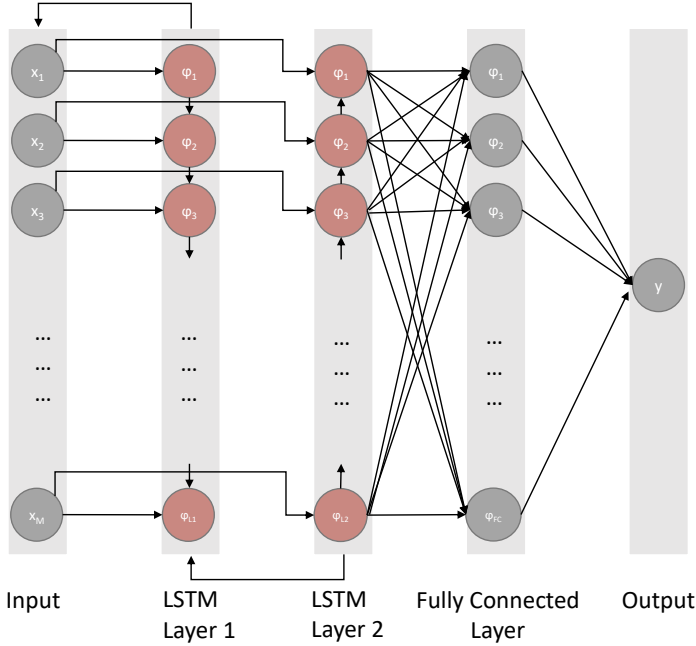


Fig. 2: Graphical representation of the BiLSTM network model used for Italy and Taiwan. Parameter *Number of Hidden Units* refers to the size of the LSTM layers, parameter *First Layer Size* refers to the size of the fully connected layer

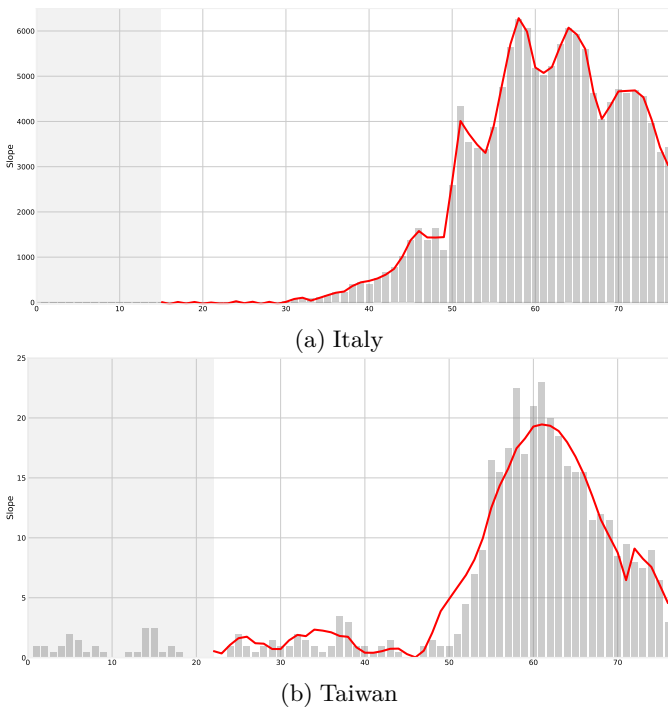


Fig. 3: Slope prediction (red) as computed by the best BiLSTMNN Neural Network model. Grey shaded area indicates model time window for which predictions cannot be made, histogram represents real slope values.

series analysis, which highlights even more the competitive results yielded in this study. Thus, the BiLSTMNN is the appealing approach for the problem under study.

4.2 Optimisation

A genetic algorithm has been used to solve the corresponding optimisation problem for each region and promising results have been found that do not contradict previous findings of epidemiological models (Figures 4 and 5). All variables are considered integer and optimised within the bounds reported in Table 4, together with their optimal value. The genetic algorithm, with population size of 100 and the maximum number of generations set to 1000, has been run with the stopping criteria set as the maximum number of generations reached or the average relative change in the best fitness function value over 100 generations being less than or equal to a tolerance of $1e - 10$.

The optimisation process for Italy terminates after almost 600 iterations when the change in the penalty fitness value is less than the allowable tolerance. All constraints are satisfied and the final objective function is 3755, with respect to the original value of 6272. This is almost a 40% reduction with respect to the original value and equates to a reduction of almost 21,700 infected individuals at the end of the prediction horizon, corresponding to 16% of the actual total value.

The optimisation process for Taiwan terminates after almost 300 iterations again when the change in the penalty fitness value is less than the allowable tolerance. All constraints are satisfied and the final objective function is 7.6, with respect to the original value of 23. This is almost a 63% reduction with respect to the original value and a reduction of 102 infected individuals at the end of the prediction horizon, corresponding to 28% of the actual total value.

5 Discussion

5.1 Italy

As illustrated in Fig. 4, an earlier and more extensive testing campaign (+56%) could have been combined with an earlier creation of red zones in Northern Italy and, interestingly, with a milder implementation of the government mitigation plan on the rest of the country: the localized restrictions could have been maintained as sufficient measures until 14th March. Furthermore, in this scenario the country-wide suspension of manufacturing businesses, a measure burdened with a substantial socio-economic impact, is delayed and limited to a shorter period of time, while the volume of police checks, aimed at monitoring the population compliance, is larger and commences earlier. This is all combined with an earlier and more pervasive consciousness of the public about the risk posed by the epidemics and thus on the benefits of a temporary reduction of social contacts.

The containment of the growth is also optimally managed in Italy by earlier restrictive regulations on the intra- and extra- Schengen air traffic, and by entry restrictions that span beyond the mere suspension of direct flights to and from China. As for the national air traffic, it could have been

528 lagged values of the slope, cumulative cases or daily cases were
 529 not included in the model to reduce dependence between input
 530 variables and assist the interpretation of the optimum values.
 531 These variables are usually the most discriminant in times

TABLE 4: Government restriction optimisation variables bounds and optimal values

Italy	bounds	optimal value	Taiwan	bounds	optimal value
x_1, x_2, x_3	[1,20], [5,25], [20,76]	13, 21, 46	x_1, \dots, x_{12}	[1 3], [1 5], [1 5], [1 9], [24 44], [48 68], [31 51], [25 45], [27 47], [36 56], [43 63], [40 60]	1, 1, 1, 1, 24, 68, 31, 25, 47, 36, 43, 40
x_4, x_5	[15, 50], [-14,14]	44, -11	$x_{13}; x_{14}, \dots, x_{19}$	[1,20], [1, 50] ⁶	20, 48, 1, 1, 1, 1, 1
x_6	[20,50]	24	x_{20}	[30,60]	31
$x_7; x_8, \dots, x_{11}$	[1,10], [1, 30] ⁴	3, 3, 23, 30, 15	$x_{21}; x_{22}, \dots, x_{28}$	[1,20], [1, 50] ⁷	1, 1, 1, 1, 5, 1, 1, 27
$x_{12}; x_{13}, \dots, x_{19}$	[20,40], [1, 30] ⁷	22, 17, 14, 1, 1, 10, 8, 3	$x_{29}; x_{30}, \dots, x_{46}$	[1,20], [1, 30] ¹⁷	1, 1, 1, 1, 1, 1, 1, 1, 1, 5, 30, 1, 1, 1, 1, 1, 1
x_{20}, x_{21}	[15,50], [-14,14]	49, -3	x_{47}, x_{48}	[15,70], [-14,14]	15, 14
x_{22}, x_{23}	[15,50], [-14,14]	26, 14	x_{49}, x_{50}	[15,70], [-14,14]	15, 14
x_{24}, x_{25}	[15,50], [-14,14]	16, -6	x_{51}, x_{52}	[15,70], [-14,14]	15, 14
x_{26}, x_{27}	[15,50], [-14,14]	26, -13	x_{53}, x_{54}	[15,70], [-14,14]	34, 14

588 maintained unrestricted for a longer timeframe: a finding to
 589 be read in the context of larger and earlier testing, larger and
 590 earlier volume of police checks, better awareness of the public,
 591 increased control on the infections potentially coming from
 592 abroad.

593 **5.2 Taiwan**

594 Although government actions in Taiwan successfully pre-
 595 vented exponential growth of confirmed cases, the optimised
 596 model predicts earlier actions would have damped growth
 597 even further as outlined in Fig. 5. By allowing movable dates
 598 on border control decisions, Taiwan would have benefited
 599 from even earlier actions against China (by a few days) and
 600 earlier self-health management and home quarantine regu-
 601 lations against selected nations (those shaded in Table 7 of
 602 Supplementary Material in February and March, prior to
 603 19th March by the maximum 10 days allowed). This allows
 604 a later date for the travel restriction on all foreign nationals
 605 that was implemented on 19th March, as well as a slight
 606 delay in the decrease of international flight volume. The
 607 optimizer increases testing volume 2 weeks earlier than reality
 608 and suggests community surveillance and mandatory testing
 609 for incoming travellers in the first week of the observatory
 610 period. Actions regarding mitigating internal spread are also
 611 suggested earlier - heightened hygiene practices, self-health
 612 management of positive cases' contact and social distance
 613 guidelines should have occurred at least 3 weeks earlier (com-
 614 parison of Fig. 5 and Table 12 in Supplementary Material).
 615 In addition, national flight volume should be kept low to
 616 inhibit internal spread. This allows less people to stay at
 617 home as illustrated by the reduced online presence. Finally
 618 we see people awareness and quarantine control can both
 619 be delayed, the latter significantly. This suggests the Taiwan
 620 public awareness is sufficient, and enforcement measures like
 621 fines and mandatory quarantine may not be necessary.

622 **5.3 Comparison**

623 Care must be taken in comparing the growth and government
 624 actions for two different territories. All data is not equal;
 625 different testing methods, diagnostic criteria and methods
 626 of counting confirmed cases can affect comparisons. There
 627 may also be underlying themes behind data / variables,
 628 e.g., the availability of personal protection equipment like

629 masks to enable adherence to control measures and keep
 630 health workers safe (3 workers from healthcare settings where
 631 reported positive by TCDC [42], while in Italy more than
 632 28,000 healthcare workers contracted the virus by the end
 633 of April [64], [65]), the method and extent of a region's
 634 track and trace program in locating high risk individuals,
 635 cultural / social response of a population to government
 636 actions, healthcare capacity and quality in early isolation
 637 and treatment (0.86 vs 3.02 ICU beds per 10,000 population
 638 in Italy [35] and Taiwan [66] respectively). To overcome
 639 such inequity of data in this study, Italy and Taiwan were
 640 simulated independently. Variables were chosen to be those
 641 for which there was data readily available and have a) known
 642 or suspected effect on growth curves or b) an ability to
 643 highlight any differences between the two territories. Any
 644 overarching themes are then considered.

645 **Testing:** In volume of testing per number of confirmed
 646 cases, Taiwan exceeded Italy [67]. In volume of testing per
 647 population, the roles reverse while Taiwan began testing
 648 earlier. Regardless, in modelling both regions, the same
 649 recommendation resulted from optimization, higher testing
 650 volume (and earlier). This agrees with results from a recent
 651 model that distinguishes between tested and untested
 652 infections cases [68], benefits of systematic testing [69] as well
 653 as statistical observations from South Korea [70]: extensive
 654 testing with track and trace and social distance restrictions
 655 may contain the growth to an extent where a national
 656 lockdown can be avoided.

657 **Border control:** Either a reduction in international flights
 658 is required or a strong border control measure. We see these
 659 two measures 'meet' in Fig. 4 for Italy, where the optimizer
 660 only allowed 10 day shifts. The border control in optimized
 661 Taiwan doesn't drop below 0.7591 (which is obtainable by 10
 662 day shifts), which is roughly satisfied by mandatory 14 day
 663 home quarantine for incoming travellers from infected areas
 664 (pending on incoming / outgoing traveller ratios). This allows
 665 slightly more international flights (Fig. 5). These translate to
 666 earlier action against other nations than China for both Italy
 667 and Taiwan.

668 **People awareness and compliance:** In Taiwan,
 669 enforcement of regulations appears not to be a driving
 670
 671
 672

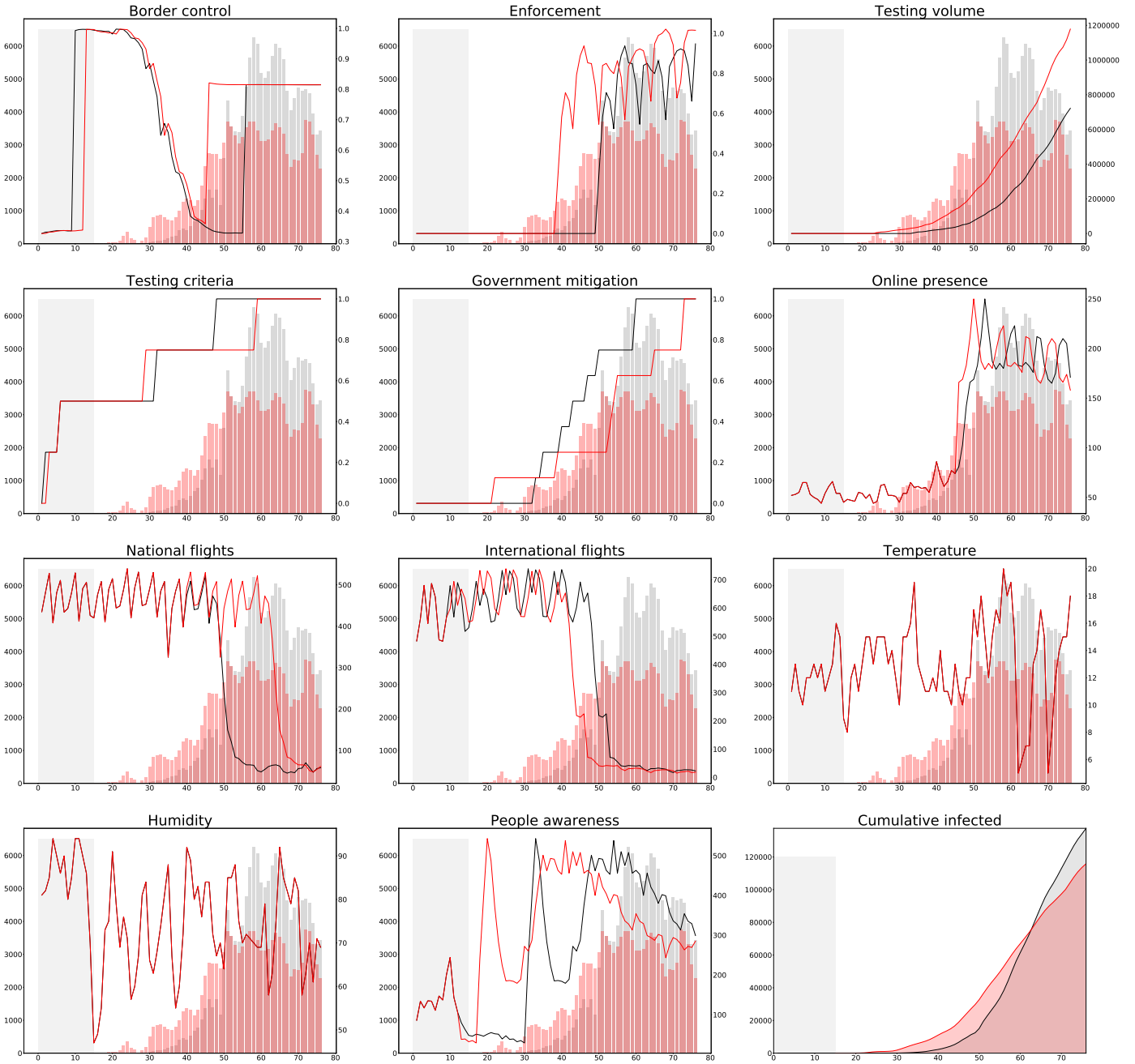


Fig. 4: Optimal solution for Italy. On the right axis, black solid line represents the original variable, red solid line is the optimised solution. On the left axis the histograms of slope values for original solution (grey) and optimal one (red) are reported. Last plot represents the cumulative value of infected people in the country for original solution.

673 factor while people awareness is seemed to be almost ideal.
 674 Italy, on the other hand, would have benefited from earlier
 675 awareness by the public and earlier implementation of
 676 quarantine control. These results seem to highlight the
 677 cultural and social differences of the two territories and
 678 can be justified empirically using the well-known Hofstede
 679 dimensions [71]. Specifically, with a score of 50 in the Power
 680 Distance dimension, Northern Italy tends to prefer equality
 681 and a decentralisation of power and decision-making. Control
 682 and formal supervision is generally disliked among the
 683 younger generation. Furthermore, the high score obtained
 684 in the Individualism dimension (76 points) accentuates the
 685 aversion of the Italian citizen to being supervised and limited

in his/her autonomy. Conversely, Taiwan is a hierarchical
 society in which people accept that hierarchical order and
 needs no further justifications (the scores in the Individualism
 and Power Distance dimensions are 17 and 58 points,
 respectively).

National lockdown: Taiwan never implemented a national
 lockdown and our results support this decision, even hinting
 that the observed self-inflicted increase in home activities
 carried out by the public was not necessary. However
 maintaining hygiene and social distancing while in public
 was deemed important and should have happened earlier. Italy,
 alternatively may have delayed or reduced their nationwide

686
 687
 688
 689
 690
 691
 692
 693
 694
 695
 696
 697
 698

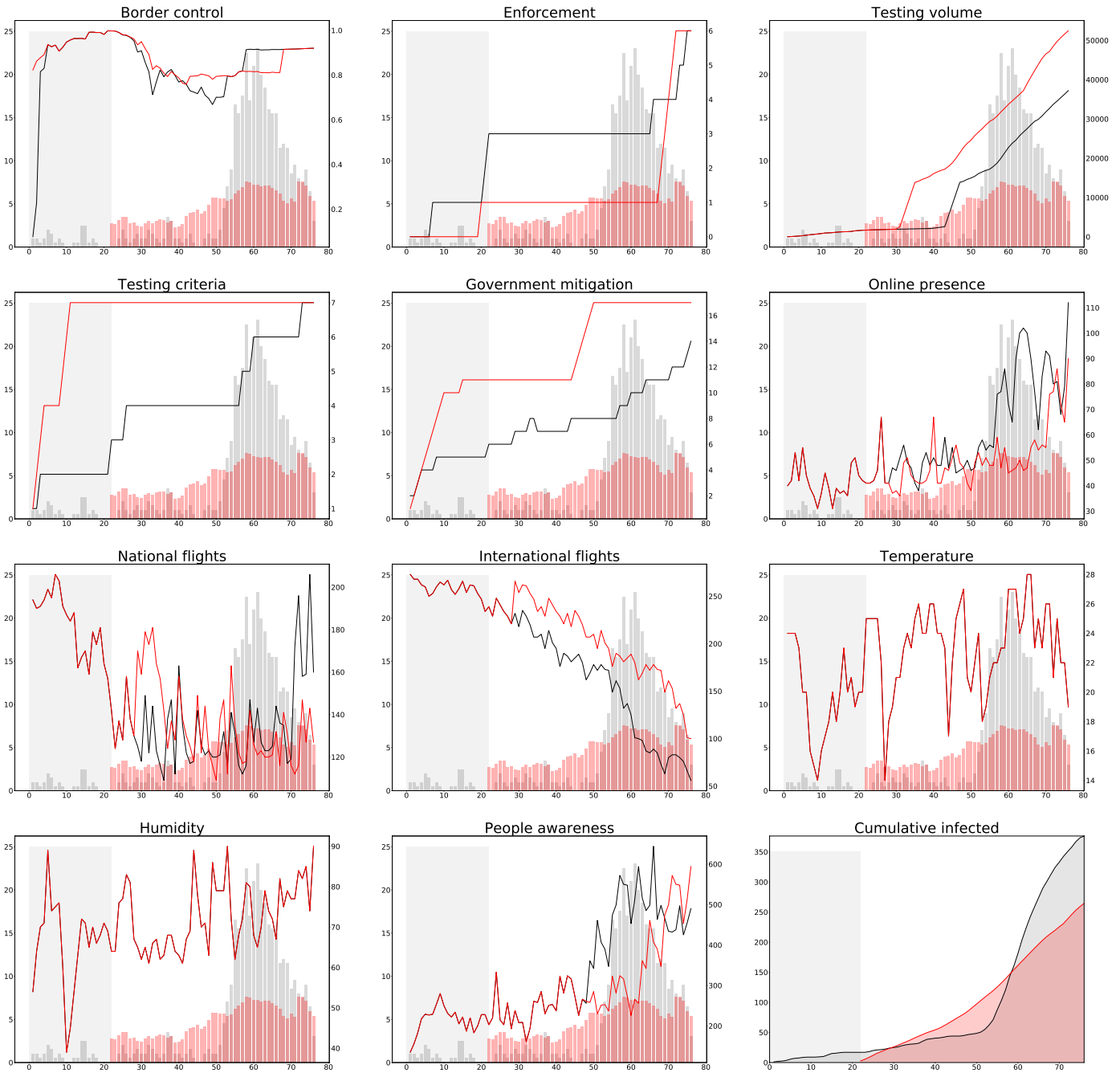


Fig. 5: Optimal solution for Taiwan. On the right axis, black solid line represents the original variable, red solid line is the optimised solution. On the left axis the histograms of slope values for original solution (grey) and optimal one (red) are reported. Last plot represents the cumulative value of infected people in the region for original solution.

699 lockdown as a result of increasing testing, border control, 711
 700 quarantine enforcement, public awareness and restrictions 712
 701 localized in the most affected areas. 713

702

703 **Limitations:** It must be noted that neural networks have 714
 704 limitations as they behave as stochastic processes. It should 715
 705 therefore be highlighted that this study further complements 716
 706 existing results by mathematical modelling and statistical 717
 707 analysis. That a data-only driven model arrives at the same 718
 708 results, further fortifies their conclusions. It should also be 719
 709 noted that *hindsight is 20-20*. This study does not serve to 720
 710 criticise governments' management of the pandemic but to 721

assist in preventing a second wave. In particular at the time 711
 of most national lockdowns: China was the only example of a 712
 nation that had recovered from exponential growth (accom- 713
 plished by a nationwide lockdown); a large part of the research 714
 this study supports was not yet complete; the power of testing 715
 and border control illustrated by South Korea and Taiwan 716
 respectively had not been fully witnessed; and knowledge of 717
 the virus and how it spread via pre-symptomatic individuals 718
 or reservoirs was not yet known. However, this exemplifies 719
 that as research continues and expands, so will our knowledge 720
 and with that more and more tools to overcome this pandemic. 721

6 Conclusion

This is the first purely data-driven study where quantitative and qualitative data have been merged and used in a multivariate time series model aimed at predicting the daily increase of the cumulative infected people. We provide an updated and extensive epidemiology overview of both Italy and Taiwan. The purely data-driven approach yielded results that are in line with the main findings of the epidemiological models, proving that the approach has value and that the data alone contains valuable knowledge to inform decision makers.

An in depth discussion of the results obtained has been provided for each of the territories analysed: our main finding being earlier and larger deployment of testing among the population and national entry restrictions allow an easing of lockdown. These are combined with socio-cultural identification of driving factors in each individual territory; stricter enforcement of regulations and information in Italy and relaxation of control measures and self-imposed home confinement in Taiwan. These results give scientific insight to the impact of government actions, fortifying those results previously shown with purely epidemiological models. Hence, this strengthens the foundation for policy makers in constraining growth in current outbreaks and future potential second waves.

This first proof of principle can be built on in several dimensions. One can include more variables, into the time series, for example the availability of ICU beds or personal protection equipment (masks, facial shields). A similar study can be completed for other countries that have experienced a different trend in infections growth rate and that have implemented differently containment measures, e.g., Sweden, United States, Australia, New Zealand, etc. The different models can be analysed in comparison to further increase our understanding of the relation between government actions and social behaviour, and the growth of the epidemics.

This study, along with further developments, in turn can be used to build on existing epidemiology models with the addition of new variables and their fine-tuned effects.

Acknowledgments

The authors would like to thank all individuals that have and continue to partake in the global effort of collecting epidemiological data of the SARS-CoV-2 pandemic. In particular the Taiwan CDC, the Italian Department of Civil Protection and the John Hopkins University Center for Systems Science and Engineering for making so much data publicly available. We thank Tom Gheysens for insightful discussions.

AR is funded by SFC Scottish Funding Council. JG is funded by the ERC Consolidator Grant 773202 ERC-2017-COG ‘BabyRhythm’. FFN is funded by the Spanish Ministry of Science under Project ENE2017-88889-C2-1-R. AH is funded by the Natural Sciences and Engineering Research Council of Canada. Research at Perimeter Institute is supported in part by the Government of Canada through the Department of Innovation, Science and Economic Development Canada and by the Province of Ontario through the Ministry of Colleges and Universities.

The authors declare no competing interests. Data will be made available via github prior to publication.

References

- W. H. Organization, “Novel coronavirus (2019-ncov): situation report, 1,” Technical documents, 2020-01-21.
- R. Lu, X. Zhao, J. Li, P. Niu, B. Yang, H. Wu, W. Wang, H. Song, B. Huang, N. Zhu, Y. Bi, X. Ma, F. Zhan, L. Wang, T. Hu, H. Zhou, Z. Hu, W. Zhou, L. Zhao, J. Chen, Y. Meng, J. Wang, Y. Lin, J. Yuan, Z. Xie, J. Ma, W. J. Liu, D. Wang, W. Xu, E. C. Holmes, G. F. Gao, G. Wu, W. Chen, W. Shi, and W. Tan, “Genomic characterisation and epidemiology of 2019 novel coronavirus: implications for virus origins and receptor binding,” *The Lancet*, vol. 395, no. 10224, pp. 565 – 574, 2020. [Online]. Available: <http://www.sciencedirect.com/science/article/pii/S0140673620302518>
- F. Wu, S. Zhao, B. Yu, Y.-M. Chen, W. Wang, Z.-G. Song, Y. Hu, Z.-W. Tao, J.-H. Tian, Y.-Y. Pei, M.-L. Yuan, Y.-L. Zhang, F.-H. Dai, Y. Liu, Q.-M. Wang, J.-J. Zheng, L. Xu, E. C. Holmes, and Y.-Z. Zhang, “A new coronavirus associated with human respiratory disease in china,” *Nature*, vol. 579, no. 7798, pp. 265–269, 2020. [Online]. Available: <https://doi.org/10.1038/s41586-020-2008-3>
- P. Zhou, X.-L. Yang, X.-G. Wang, B. Hu, L. Zhang, W. Zhang, H.-R. Si, Y. Zhu, B. Li, C.-L. Huang, H.-D. Chen, J. Chen, Y. Luo, H. Guo, R.-D. Jiang, M.-Q. Liu, Y. Chen, X.-R. Shen, X. Wang, X.-S. Zheng, K. Zhao, Q.-J. Chen, F. Deng, L.-L. Liu, B. Yan, F.-X. Zhan, Y.-Y. Wang, G.-F. Xiao, and Z.-L. Shi, “A pneumonia outbreak associated with a new coronavirus of probable bat origin,” *Nature*, vol. 579, no. 7798, pp. 270–273, 2020. [Online]. Available: <https://doi.org/10.1038/s41586-020-2012-7>
- H. Tian, Y. Liu, Y. Li, C.-H. Wu, B. Chen, M. U. G. Kraemer, B. Li, J. Cai, B. Xu, Q. Yang, B. Wang, P. Yang, Y. Cui, Y. Song, P. Zheng, Q. Wang, O. N. Bjornstad, R. Yang, B. T. Grenfell, O. G. Pybus, and C. Dye, “An investigation of transmission control measures during the first 50 days of the covid-19 epidemic in china,” *Science*, vol. 368, no. 6491, pp. 638–642, 2020. [Online]. Available: <https://science.sciencemag.org/content/368/6491/638>
- M. Chinazzi, J. T. Davis, M. Ajelli, C. Gioannini, M. Litvinova, S. Merler, A. Pastore y Piontti, K. Mu, L. Rossi, K. Sun, C. Viboud, X. Xiong, H. Yu, M. E. Halloran, I. M. Longini, and A. Vespignani, “The effect of travel restrictions on the spread of the 2019 novel coronavirus (covid-19) outbreak,” *Science*, vol. 368, no. 6489, pp. 395–400, 2020. [Online]. Available: <https://science.sciencemag.org/content/368/6489/395>
- W. H. Organization, “Coronavirus disease 2019 (covid-19): situation report, 51,” Technical documents, 2020-03-11.
- X. He, E. H. Y. Lau, P. Wu, X. Deng, J. Wang, X. Hao, Y. C. Lau, J. Y. Wong, Y. Guan, X. Tan, X. Mo, Y. Chen, B. Liao, W. Chen, F. Hu, Q. Zhang, M. Zhong, Y. Wu, L. Zhao, F. Zhang, B. J. Cowling, F. Li, and G. M. Leung, “Temporal dynamics in viral shedding and transmissibility of covid-19,” *Nature Medicine*, vol. 26, no. 5, pp. 672–675, 2020. [Online]. Available: <https://doi.org/10.1038/s41591-020-0869-5>
- B. Rockx, T. Kuijken, S. Herfst, T. Bestebroer, M. M. Lamers, B. B. Oude Munnink, D. de Meulder, G. van Amerongen, J. van den Brand, N. M. A. Okba, D. Schipper, P. van Run, L. Leijten, R. Sikkema, E. Verschoor, B. Verstrepen, W. Bogers, J. Langermans, C. Drosten, M. Fentener van Vlissingen, R. Fouchier, R. de Swart, M. Koopmans, and B. L. Haagmans, “Comparative pathogenesis of covid-19, mers, and sars in a nonhuman primate model,” *Science*, vol. 368, no. 6494, pp. 1012–1015, 2020. [Online]. Available: <https://science.sciencemag.org/content/368/6494/1012>
- S. M. Kissler, C. Tedijanto, E. Goldstein, Y. H. Grad, and M. Lipsitch, “Projecting the transmission dynamics of sars-cov-2 through the postpandemic period,” *Science*, vol. 368, no. 6493, pp. 860–868, 2020. [Online]. Available: <https://science.sciencemag.org/content/368/6493/860>
- K. Leung, J. T. Wu, D. Liu, and G. M. Leung, “First-wave covid-19 transmissibility and severity in china outside hubei after control measures, and second-wave scenario planning: a modelling impact assessment,” *The Lancet*, vol. 395, no. 10233, pp. 1382 – 1393, 2020. [Online]. Available: <http://www.sciencedirect.com/science/article/pii/S0140673620307467>
- I. D. Apostolopoulos and T. A. Mpesiana, “Covid-19: automatic detection from x-ray images utilizing transfer learning with con-

722

723

724

725

726

727

728

729

730

731

732

733

734

735

736

737

738

739

740

741

742

743

744

745

746

747

748

749

750

751

752

753

754

755

756

757

758

759

760

761

762

763

764

765

766

767

768

769

770

771

772

773

774

775

776

777

778

779

780

781

782

783

784

785

786

787

788

789

790

791

792

793

794

795

796

797

798

799

800

801

802

803

804

805

806

807

808

809

810

811

812

813

814

815

816

817

818

819

820

821

822

823

824

825

826

827

828

829

830

831

832

833

834

835

836

837

838

839

840

841

842

843

844

845

846

847

848

849

850

851

852

853

854

- volutional neural networks,” *Physical and Engineering Sciences in Medicine*, p. 1, 2020.
- [13] L. Wang and A. Wong, “Covid-net: A tailored deep convolutional neural network design for detection of covid-19 cases from chest radiography images,” *arXiv*, pp. arXiv-2003, 2020.
- [14] P. Afshar, S. Heidarian, F. Naderkhani, A. Oikonomou, K. N. Plataniotis, and A. Mohammadi, “Covid-caps: A capsule network-based framework for identification of covid-19 cases from x-ray images,” *arXiv preprint arXiv:2004.02696*, 2020.
- [15] K. Roosa, Y. Lee, R. Luo, A. Kirpich, R. Rothenberg, J. Hyman, P. Yan, and G. Chowell, “Real-time forecasts of the covid-19 epidemic in china from february 5th to february 24th, 2020,” *Infectious Disease Modelling*, vol. 5, pp. 256–263, 2020.
- [16] Z. Yang, Z. Zeng, K. Wang, S.-S. Wong, W. Liang, M. Zanin, P. Liu, X. Cao, Z. Gao, Z. Mai *et al.*, “Modified seir and ai prediction of the epidemics trend of covid-19 in china under public health interventions,” *Journal of Thoracic Disease*, vol. 12, no. 3, p. 165, 2020.
- [17] F. Petropoulos and S. Makridakis, “Forecasting the novel coronavirus covid-19,” *PloS one*, vol. 15, no. 3, p. e0231236, 2020.
- [18] D. Fanelli and F. Piazza, “Analysis and forecast of covid-19 spreading in china, italy and france,” *Chaos, Solitons & Fractals*, vol. 134, p. 109761, 2020.
- [19] N. Shone, T. N. Ngoc, V. D. Phai, and Q. Shi, “A deep learning approach to network intrusion detection,” *IEEE Transactions on Emerging Topics in Computational Intelligence*, vol. 2, no. 1, pp. 41–50, 2018.
- [20] J. Li, B. Li, J. Xu, R. Xiong, and W. Gao, “Fully connected network-based intra prediction for image coding,” *IEEE Transactions on Image Processing*, vol. 27, no. 7, pp. 3236–3247, 2018.
- [21] R. M. Rizk-Allah and A. E. Hassanien, “Covid-19 forecasting based on an improved interior search algorithm and multi-layer feed forward neural network,” *arXiv preprint arXiv:2004.05960*, 2020.
- [22] O. Torrealba-Rodriguez, R. Conde-Gutiérrez, and A. Hernández-Javier, “Modeling and prediction of covid-19 in mexico applying mathematical and computational models,” *Chaos, Solitons & Fractals*, p. 109946, 2020.
- [23] G. Baltas, F. A. Prieto Rodríguez, M. Frantzi, C. García Alonso, P. Rodríguez Cortés *et al.*, “Monte carlo deep neural network model for spread and peak prediction of covid-19,” 2020.
- [24] F. Fernández-Navarro, M. A. de la Cruz, P. A. Gutiérrez, A. Castaño, and C. Hervás-Martínez, “Time series forecasting by recurrent product unit neural networks,” *Neural Computing and Applications*, vol. 29, no. 3, pp. 779–791, 2018.
- [25] V. K. R. Chimmula and L. Zhang, “Time series forecasting of covid-19 transmission in canada using lstm networks,” *Chaos, Solitons & Fractals*, p. 109864, 2020.
- [26] A. Tomar and N. Gupta, “Prediction for the spread of covid-19 in india and effectiveness of preventive measures,” *Science of The Total Environment*, p. 138762, 2020.
- [27] S. D. Liang, “Optimization for deep convolutional neural networks: How slim can it go?” *IEEE Transactions on Emerging Topics in Computational Intelligence*, vol. 4, no. 2, pp. 171–179, 2018.
- [28] H. Wang, C. Li, X. Zhen, W. Yang, and B. Zhang, “Gaussian transfer convolutional neural networks,” *IEEE Transactions on Emerging Topics in Computational Intelligence*, vol. 3, no. 5, pp. 360–368, 2019.
- [29] J. C. B. Gamboa, “Deep learning for time-series analysis,” *arXiv preprint arXiv:1701.01887*, 2017.
- [30] C.-J. Huang, Y.-H. Chen, Y. Ma, and P.-H. Kuo, “Multiple-input deep convolutional neural network model for covid-19 forecasting in china,” *medRxiv*, 2020.
- [31] S. Dutta, S. K. Bandyopadhyay, and T.-H. Kim, “Cnn-lstm model for verifying predictions of covid-19 cases,” *Asian Journal of Research in Computer Science*, pp. 25–32, 2020.
- [32] Kraemer, Moritz U. G. and Yang, Chia-Hung and Gutierrez, Bernardo and Wu, Chieh-Hsi and Klein, Brennan and Pigott, David M. and , and du Plessis, Louis and Faria, Nuno R. and Li, Ruoran and Hanage, William P. and Brownstein, John S. and Layan, Maylis and Vespignani, Alessandro and Tian, Huaiyu and Dye, Christopher and Pybus, Oliver G. and Scarpino, Samuel V., “The effect of human mobility and control measures on the covid-19 epidemic in china,” *Science*, vol. 368, no. 6490, pp. 493–497, 2020. [Online]. Available: <https://science.sciencemag.org/content/368/6490/493>
- [33] “The covid-19 data repository by the center for systems science and engineering (csse) at johns hopkins university,” <https://github.com/CSSEGISandData/COVID-19>, accessed: 2020-04-24.
- [34] “Protezione civile,” <http://www.protezionecivile.gov.it/>, 2020, [Online; accessed 04-May-2020].
- [35] R. Angelico, S. Trapani, T. M. Manzia, L. Lombardini, G. Tisone, and M. Cardillo, “The covid-19 outbreak in italy: initial implications for organ transplantation programs,” *American Journal of Transplantation*.
- [36] G. Grasselli, A. Pesenti, and M. Cecconi, “Critical care utilization for the covid-19 outbreak in lombardy, italy: early experience and forecast during an emergency response,” *Jama*, vol. 323, no. 16, pp. 1545–1546, 2020.
- [37] A. Remuzzi and G. Remuzzi, “Covid-19 and italy: what next?” *The Lancet*, vol. 395, no. 10231, pp. 1225 – 1228, 2020. [Online]. Available: <http://www.sciencedirect.com/science/article/pii/S0140673620306279>
- [38] C.-C. Lai, C.-Y. Wang, Y.-H. Wang, S.-C. Hsueh, W.-C. Ko, and P.-R. Hsueh, “Global epidemiology of coronavirus disease 2019 (covid-19): disease incidence, daily cumulative index, mortality, and their association with country healthcare resources and economic status,” *International Journal of Antimicrobial Agents*, vol. 55, no. 4, p. 105946, 2020. [Online]. Available: <http://www.sciencedirect.com/science/article/pii/S0924857920300960>
- [39] W. O. Kermack and A. G. McKendrick, “A contribution to the mathematical theory of epidemics,” 1927, p. 700–721.
- [40] “Trovanorme - ministero della salute,” <http://www.trovanorme.salute.gov.it/>, 2020, [Online; accessed 04-May-2020].
- [41] “Ministero dell’interno, i dati dei servizi di controllo,” <https://www.interno.gov.it/it/coronavirus-i-dati-dei-servizi-di-controllo>, 2020, [Online; accessed 04-May-2020].
- [42] “Taiwan centers of disease control,” <https://www.cdc.gov.tw/En>, accessed: 2020-04-24.
- [43] C. J. Wang, C. Y. Ng, and R. H. Brook, “Response to COVID-19 in Taiwan: Big Data Analytics, New Technology, and Proactive Testing,” *JAMA*, vol. 323, no. 14, pp. 1341–1342, 04 2020. [Online]. Available: <https://doi.org/10.1001/jama.2020.3151>
- [44] “Taiwan centers of disease control health declaration and home quarantine notice,” <https://www.cdc.gov.tw/En/File/Get/f7cDmcivdtKBDvAhJt9SVg>, accessed: 2020-04-24.
- [45] “Ministero della salute - normativa,” <http://www.salute.gov.it/portale/documentazione>, 2020, [Online; accessed 04-May-2020].
- [46] “Flightradar24,” <https://www.flightradar24.com/>, accessed: 2020-04-24.
- [47] N. AL-Rousan and H. Al-Najjar, “Nowcasting and Forecasting the Spreading of Novel Coronavirus 2019-nCoV and Its Association with Weather Variables in 30 Chinese Provinces: A Case Study,” 02 2020. [Online]. Available: <http://dx.doi.org/10.2139/ssrn.3537084>
- [48] “World weather online api,” <https://www.worldweatheronline.com/>, accessed: 2020-04-24.
- [49] A. Husnayain, A. Fuad, and E. C.-Y. Su, “Applications of google search trends for risk communication in infectious disease management: A case study of the covid-19 outbreak in taiwan,” *International Journal of Infectious Diseases*, vol. 95, pp. 221 – 223, 2020. [Online]. Available: <http://www.sciencedirect.com/science/article/pii/S1201971220301405>
- [50] I. Goodfellow, Y. Bengio, and A. Courville, *Deep Learning*. MIT Press, 2016, <http://www.deeplearningbook.org>.
- [51] G.-B. Huang, L. Chen, C. K. Siew, and Others, “Universal approximation using incremental constructive feedforward networks with random hidden nodes,” *IEEE Transaction on Neural Networks*, vol. 17, no. 4, pp. 879–892, 2006.
- [52] S. Hochreiter and J. Schmidhuber, “Long short-term memory,” *Neural computation*, vol. 9, no. 8, pp. 1735–1780, 1997.
- [53] L. Kasun, H. Zhou, G. Huang, and C. Vong, “Representational Learning with Extreme Learning Machine for Big Data,” *IEEE Intelligent Systems*, vol. 28, no. 6, pp. 31–34, 2013.
- [54] G.-B. Huang, H. Zhou, X. Ding, and R. Zhang, “Extreme learning machine for regression and multiclass classification,” *IEEE Transactions on Systems, Man, and Cybernetics. Part B, Cybernetics*, vol. 42, no. 2, pp. 513–29, 2012.
- [55] A. A. Mohammed, R. Minhas, Q. J. Wu, and M. A. Sid-Ahmed, “Human face recognition based on multidimensional pca and

- extreme learning machine,” *Pattern Recognition*, vol. 44, no. 10-11, pp. 2588–2597, 2011.
- [56] H. Tian and B. Meng, “A new modeling method based on bagging elm for day-ahead electricity price prediction,” in *IEEE International Conference on Bio-Inspired Computing: Theories and Applications*. IEEE, 2010, pp. 1076–1079.
- [57] N. L. da Costa, L. A. G. Llobodanin, M. D. de Lima, I. A. Castro, and R. Barbosa, “Geographical recognition of syrah wines by combining feature selection with extreme learning machine,” *Measurement*, vol. 120, pp. 92–99, 2018.
- [58] Z. M. Yaseen, S. O. Sulaiman, R. C. Deo, and K.-W. Chau, “An enhanced extreme learning machine model for river flow forecasting: State-of-the-art, practical applications in water resource engineering area and future research direction,” *Journal of Hydrology*, vol. 569, pp. 387–408, 2019.
- [59] Y. Ming, S. Cao, R. Zhang, Z. Li, Y. Chen, Y. Song, and H. Qu, “Understanding hidden memories of recurrent neural networks,” in *2017 IEEE Conference on Visual Analytics Science and Technology (VAST)*. IEEE, 2017, pp. 13–24.
- [60] C. Bergmeir and J. M. Benítez, “On the use of cross-validation for time series predictor evaluation,” *Information Sciences*, vol. 191, pp. 192–213, 2012.
- [61] C.-J. Huang and P.-H. Kuo, “Multiple-input deep convolutional neural network model for short-term photovoltaic power forecasting,” *IEEE Access*, vol. 7, pp. 74 822–74 834, 2019.
- [62] S. Siegel, “Nonparametric statistics,” *The American Statistician*, vol. 11, no. 3, pp. 13–19, 1957.
- [63] Z. Šidák, “Rectangular confidence regions for the means of multivariate normal distributions,” *Journal of the American Statistical Association*, vol. 62, no. 318, pp. 626–633, 1967.
- [64] “Il sole 24 ore: Coronavirus/ inail: più di 28mila contagi sul lavoro, il 45% infermieri e il 14% medici,” <https://www.sanita24.ilssole24ore.com/art/dal-governo/2020-04-30/coronavirus-inail-piu-28mila-contagi-lavoro-45percento-infermieri-e-14percento-medici-093700.php?uuid=ADcmEdN>, accessed: 2020-04-30.
- [65] F. Anelli, G. Leoni, R. Monaco, C. Nume, R. C. Rossi, G. Marioni, G. Spata, D. De Giorgi, L. Peccarisi, A. Miani *et al.*, “Italian doctors call for protecting healthcare workers and boosting community surveillance during covid-19 outbreak,” *Bmj*, vol. 368, 2020.
- [66] “Credit –contributor roles taxonomy,” <https://www.mohw.gov.tw/cp-4510-49339-2.html>, accessed: 2020-04-24.
- [67] E. O.-O. Max Roser, Hannah Ritchie and J. Hasell, “Coronavirus pandemic (covid-19),” *Our World in Data*, 2020, <https://ourworldindata.org/coronavirus>.
- [68] G. Giordano, F. Blanchini, R. Bruno, P. Colaneri, A. Di Filippo, A. Di Matteo, and M. Colaneri, “Modelling the covid-19 epidemic and implementation of population-wide interventions in italy,” *Nature Medicine*, pp. 1–6, 2020.
- [69] J. Peto, “Covid-19 mass testing facilities could end the epidemic rapidly,” *Bmj*, vol. 368, 2020.
- [70] S. Ryu, S. T. Ali, C. Jang, B. Kim, and B. J. Cowling, “Effect of nonpharmaceutical interventions on transmission of severe acute respiratory syndrome coronavirus 2, south korea, 2020,” vol. 26, no. 10, 2020. [Online]. Available: https://wwwnc.cdc.gov/eid/article/26/10/20-1886_article
- [71] G. Hofstede, “Dimensionalizing cultures: The hofstede model in context,” *Online readings in psychology and culture*, vol. 2, no. 1, p. 8, 2011.